

IDENTIFICATION INFORMATION

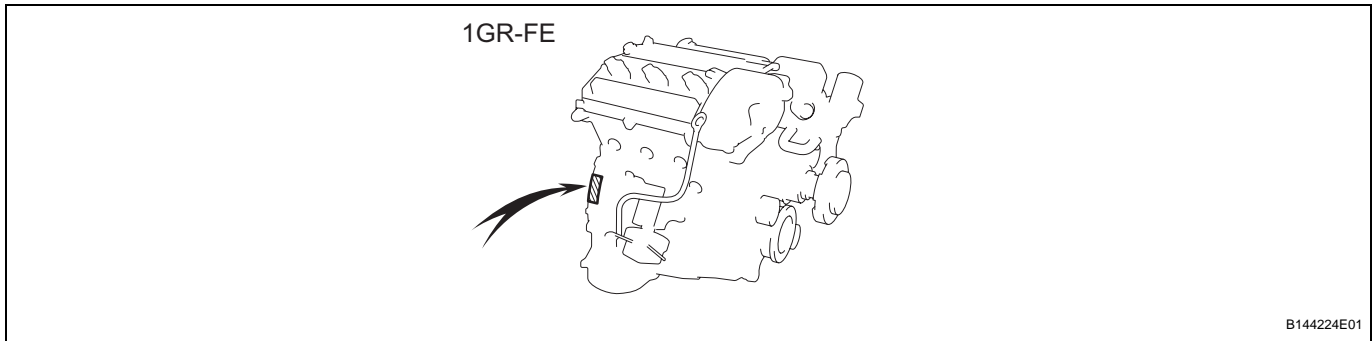
VEHICLE IDENTIFICATION AND SERIAL NUMBERS

1. VEHICLE IDENTIFICATION NUMBER

- (a) The vehicle identification number is stamped on the vehicle body and on the certification label, as shown in the illustration.
- (1) Vehicle Identification Number
 - (2) Certification Label

2. ENGINE SERIAL NUMBER AND TRANSMISSION SERIAL NUMBER

- (a) The engine serial number is stamped on the cylinder block of the engine and the transmission serial number is stamped on the housing as shown in the illustration.
- (1) Engine Serial Number



(2) Transmission Serial Number

